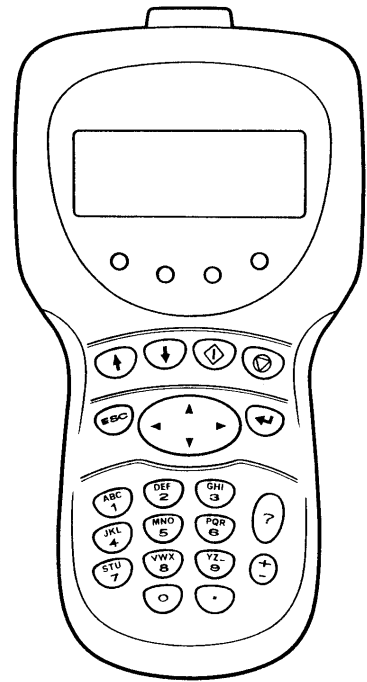


# ALSPA MV3000 Drive Data Manager™

## Part Numbers MVS3000-4001, -4011

### Features / Specification :

- Back lit 4 line 20 character display
- Alpha numeric keypad
- Local Run/Stop and Reference control
- Meets IP41 environmental requirements
- Cubicle Mounting Kit to achieve IP65 available
- Power from drive - no external supply
- Humidity : 5% to 95% Relative Humidity, non condensing.
- Altitude : Normal operating up to 2000m above sea level.
- Temperature :       Operating 0°C to 50°C  
                          Storage -25°C to 70°C

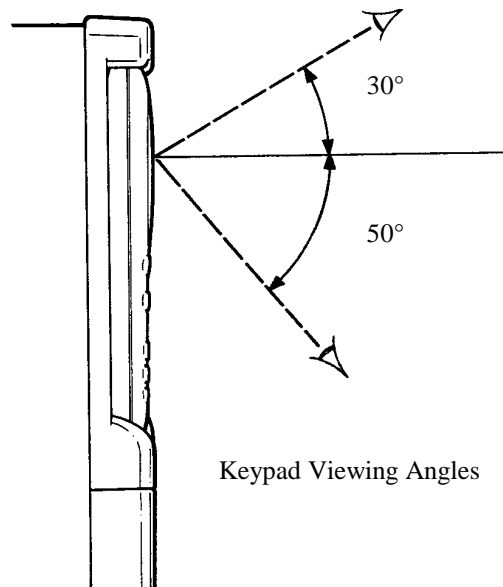
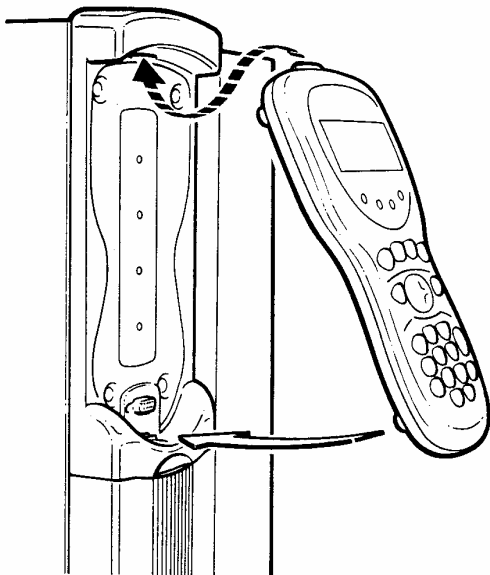


### Box Contents

This box contains one MVS3000-4001, -4011 Keypad for the MV3000 drive, desiccant and an anti-static bag.

### Fitting Instructions

The keypad fits into the drive harbour by first sliding the lip on the top of the keypad into position, then tilting the keypad back.



## Related Documents

Information describing the specification of this product and the requirements for its operation and maintenance are contained in the following manuals :

T1676EN                      ALSPA MV3000 Getting Started Manual for AC-fed Drives.

Warning: Failure to comply with any of the general requirements for installation, operation and maintenance provided in the technical manuals will significantly increase the risk of maloperation, fire or electric shock.

## Related Products

A cubicle mounting kit allowing the keypad to meet IP65 is also available, consisting of a waterproof gasket and an extension lead, order number MVS3001-4001.

## Customer Services

Please refer to your local technical support centre if you have any queries about this product.

### Converteam

#### France

9, rue Ampère  
91345 Massy Cedex  
Sales Tel:       +33 (0) 8 25 02 11 02  
Support Tel (International):  
                  +33 (0) 3 84 55 33 33  
Support Tel. (National):  
                  08 25 02 11 02

#### Germany

Culemeyerstraße 1  
D-12277 Berlin  
Sales Tel:       +49 (0) 30 74 96 27 27  
Support Tel (International):  
                  +49 (0) 69 66 99 831  
Support Tel (National):  
                  01 80 3 23 45 72

#### UK

West Avenue, Kidsgrove  
Stoke-on-Trent, ST7 1TW  
Sales Tel:       +44 (0) 1782 1010  
Support Tel:    +44 (0) 1782 1010

#### USA

610 Epsilon Drive  
Pittsburgh, PA 15238  
Sales Tel:       +1 412 967 0765  
Support Tel:    +1 800 800 5290

**CONVERTEAM**  
THE POWER CONVERSION COMPANY